



## AVK EXTENSION SPINDLE, FIXED LENGTH

04/02-001

For gate valves, key adaptor #23-32



AVK extension spindles in fixed length are designed for ease of use and long service life. The patented design facilitates fast and easy shortening of the extension spindle as the complete adjustment can be done by mere use of a hacksaw. The extension spindles are made of corrosion-free materials and the bottom cover protects against penetration of impurities.



### Product description:

Extension spindle for gate valves - fixed length - key adaptor #23-32 for water, neutral liquids and gas

### Standards:

- Designed to all standards



### Features:

- The expanding bolt design facilitates easy height adjustment
- The conical key adaptor fits most standard T-keys
- The inner tube is press fit to the top spanner and bottom adaptor to safeguard the galvanization of the tube
- The bottom cover protects the valve spindle from sand and dirt and enables it to rotate freely
- Available in 6 different lengths

### Accessories:

T-key, surface box and support tile

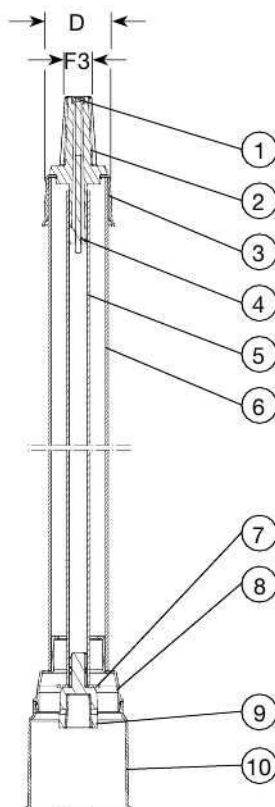


Expect ... **AVK**

# AVK EXTENSION SPINDLE, FIXED LENGTH

04/02-001

For gate valves, key adaptor #23-32



## Component list:

1. Bolt	Stainless steel	6. Protection tube	PE
2. Key adaptor	Cast stainless steel	7. Stop ring	PE
3. Sleeve	PE	8. Spindle cover top	PE
4. Nut	Stainless steel	9. Spindle adaptor	Cast stainless steel
5. Inner tube	Steel, galvanized	10. Bottom cover	PE

Components may be substituted with equivalent or higher class materials without prior notification.

## Reference nos. and dimensions:

AVK ref. no.	DN/DN	D mm	Pipe cover mm	F3 mm	Theoretical weight / kg
04-050-3-5002	40 - 50	64	800	23 - 32	1.7
04-050-3-5502	40 - 50	64	1000	23 - 32	1.8
04-050-3-6002	40 - 50	64	1250	23 - 32	2.1
04-050-3-6502	40 - 50	64	1500	23 - 32	2.5
04-050-3-7502	40 - 50	64	2000	23 - 32	4.0
04-050-3-8002	40 - 50	64	3000	23 - 32	4.6
04-080-3-5002	65 - 80	64	800	23 - 32	1.7
04-080-3-5502	65 - 80	64	1000	23 - 32	1.7
04-080-3-6002	65 - 80	64	1250	23 - 32	2.1
04-080-3-6502	65 - 80	64	1500	23 - 32	2.5
04-080-3-7502	65 - 80	64	2000	23 - 32	3.3
04-080-3-8002	65 - 80	64	3000	23 - 32	4.8
04-125-3-5002	100 - 125	64	800	23 - 32	1.3
04-125-3-5502	100 - 125	64	1000	23 - 32	1.7
04-125-3-6002	100 - 125	64	1250	23 - 32	2.2
04-125-3-6502	100 - 125	64	1500	23 - 32	2.4
04-125-3-7502	100 - 125	64	2000	23 - 32	3.2
04-125-3-8002	100 - 125	64	3000	23 - 32	5.9
04-150-3-5002	150 - 150	64	800	23 - 32	1.4
04-150-3-5502	150 - 150	64	1000	23 - 32	1.8
04-150-3-6002	150 - 150	64	1250	23 - 32	2.2
04-150-3-6502	150 - 150	64	1500	23 - 32	2.7

The designs, materials and specifications shown are subject to change without notice due to the continuous development of our product range.

**AVK EXTENSION SPINDLE, FIXED LENGTH****04/02-001****For gate valves, key adaptor #23-32****Reference nos. and dimensions:**

AVK ref. no.	DN/DN	D mm	Pipe cover mm	F3 mm	Theoretical weight / kg
04-150-3-7502	150 - 150	64	2000	23 - 32	4.4
04-150-3-8002	150 - 150	64	3000	23 - 32	6.7
04-200-3-5002	200 - 200	64	800	23 - 32	1.3
04-200-3-5502	200 - 200	64	1000	23 - 32	1.7
04-200-3-6002	200 - 200	64	1250	23 - 32	2.1
04-200-3-6502	200 - 200	64	1500	23 - 32	2.6
04-200-3-7502	200 - 200	64	2000	23 - 32	3.6
04-200-3-8002	200 - 200	64	3000	23 - 32	5.5
04-300-3-5002	250 - 300	64	800	23 - 32	1.2
04-300-3-5502	250 - 300	64	1000	23 - 32	1.6
04-300-3-6002	250 - 300	64	1250	23 - 32	2.1
04-300-3-6502	250 - 300	64	1500	23 - 32	2.5
04-300-3-7502	250 - 300	64	2000	23 - 32	3.5
04-300-3-8002	250 - 300	64	3000	23 - 32	5.4
04-400-3-6002	350 - 400	64	1250	23 - 32	1.8
04-400-3-6502	350 - 400	64	1500	23 - 32	2.3
04-400-3-7502	350 - 400	64	2000	23 - 32	3.4
04-400-3-8002	350 - 400	64	3000	23 - 32	5.3
04-630-3-8002	450 - 600	64	3000	23 - 32	-



# AVK FIXED LENGTH EXT. SPINDLE FOR GATE VALVES

SERIES 04/02

Mounting instruction / Montagevejledning  
Einbauanleitung / Instruction de montage



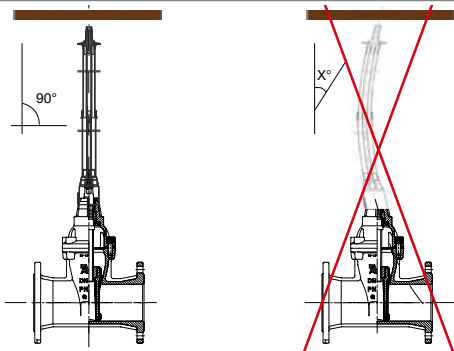
## AVK fixed length extension spindle

Part No.: XXXXXXXXXX



**DN 50-125:  
Max. 200 Nm**

**DN 150-400:  
Max. 400 Nm**



Expect... **AVK**