



AVK FLANGED GATE VALVE, PN 10/16

06/35

DIN F4, pin indicator & handwheel, EPDM, CTC

003

AVK gate valves are designed with built-in safety in every detail. The wedge is fully vulcanized with AVK's own drinking water approved EPDM rubber compound. It features an outstanding durability due to the ability of the rubber to regain its original shape, the double bonding vulcanization process and the sturdy wedge design. The safety stem sealing system, the high strength stem and the thorough corrosion protection safeguard the unmatched reliability.

Product Description:

Flanged gate valve with pin indicator for drinking water and neutral liquids to max. 70°C

Standards:

- Designed according to EN 1074 part 1 & 2, Designed according to EN 1171
- Face to face according to EN 558 Table 2 Basic Series 14
- Standard flange drilling to EN1092-2 (ISO 7005-2), PN 10/16

Test/Approvals:

- Hydraulic test according to EN 1074-1 and 2 / EN 12266.
- Seat: 1.1 x PN (in bar), Body: 1.5 x PN (in bar). Operation torque test.
- Approved according to DIN-DVGW Certificate NW-6203BN0117

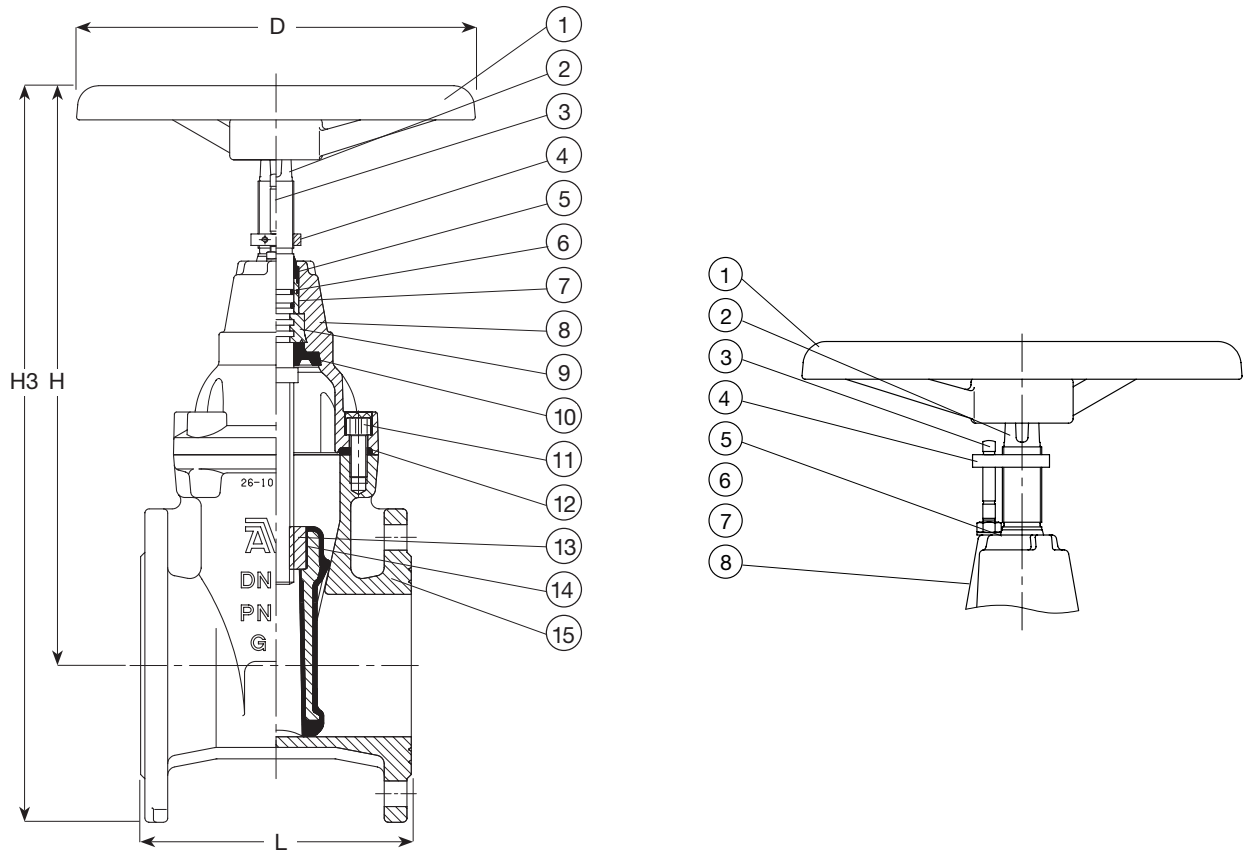
Features:

- Fixed, integral wedge nut prevents vibration and ensures durability
- Fully vulcanized wedge with guide rails, integrated wedge shoes and a large conical stem hole
- Stainless steel stem with wedge stop and rolled threads for high strength
- Full circle thrust collar provides fixation of the stem and low free running torques
- Triple safety stem sealing with an NBR wiper ring, a polyamide bearing with four NBR O-rings and an EPDM rubber manchette
- Round EPDM bonnet gasket fixed in a recess
- Countersunk and sealed bonnet bolts encircled by the bonnet gasket
- Full bore
- Low operating torque
- Epoxy coating to DIN 30677-2 and AVK guidelines

Accessories:

Mounting kit for limit switch, limit switch, flange adaptor and combi-flange





Component List:

1. Handwheel	Grey cast iron, GJL-250 (GG-25)	2. Stem	Stainless steel min. 13% Cr
3. Pin	Stainless steel	4. Indicator nut	Dezincification resistant brass
5. Wiper ring	NBR rubber	6. O-ring	NBR rubber
7. Bearing	Polyamide	8. Bonnet	Ductile iron, GJS-500 (GGG-50)
9. Thrust collar	Ductile iron, GJS-500 (GGG-50)	10. Manchette	EPDM rubber
11. Bonnet bolt	Stainless steel A2, sealed with hot melt	12. Bonnet gasket	EPDM rubber
13. Wedge nut	Dezincification resistant brass	14. Wedge	Ductile iron with EPDM rubber
15. Body	Ductile iron, GJS-500 (GGG-50)		

Components may be substituted with equivalent or higher class materials without prior notification.

Reference Nos. and Dimensions:

AVK ref. nos	DN mm	Flange drilling	L mm	D mm	H mm	H3 mm	Theoretical weight kg
06-050-35-016	50	PN10/16	150	180	329	412	13
06-065-35-016	65	PN10/16	170	225	355	448	16
06-080-35-016	80	PN10/16	180	225	382	482	20
06-100-35-016	100	PN10/16	190	280	414	524	27
06-125-35-016	125	PN10/16	200	320	461	586	36
06-150-35-016	150	PN10/16	210	320	540	683	51
06-200-35-006	200	PN10	230	360	688	858	71
06-200-35-016	200	PN16	230	360	688	858	71
06-250-35-006	250	PN10	250	500	780	980	102
06-250-35-016	250	PN16	250	500	780	980	113
06-300-35-006	300	PN10	270	500	855	1083	110
06-300-35-016	300	PN16	270	500	855	1083	110
06-350-35-006	350	PN10	290	640	930	1190	220
06-350-35-016	350	PN16	290	640	930	1190	220
06-400-35-006	400	PN10	310	640	960	1248	240
06-400-35-016	400	PN16	310	640	960	1248	240

The designs, materials and specifications shown are subject to change without notice. This is due to the continuous development of our product programme.