

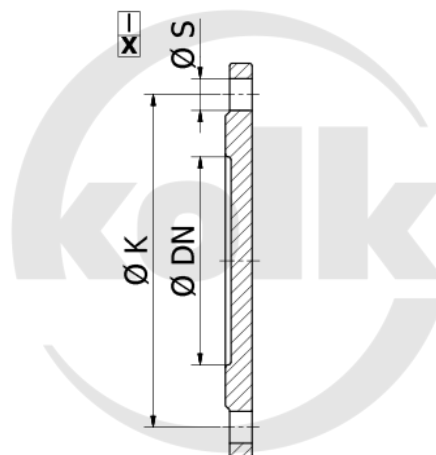
### Product Data Sheet

**1. Flanged fittings**  
1.08 Blank flange  
**Blank flange (X) PN10/16**

**Material** EN 1563 EN-GJS-400-15  
**Design Std.** EN 545  
**Coating** Epoxy GSK RAL-GZ 662  
**Approval** Kiwa BRL-K772/04



Kolk flanged fittings are made of ductile iron GJS-400/500 (DIN1693 GGG-40/50). Designed acc. to EN 545, flange drilling acc. to EN 1092-2 (ISO 7005-2). Epoxy coated (Resicoat®) acc. to EN 14901 (DIN 30677-2) and GSK certified (RAL-GZ 662).



### Blank flange (X) PN10/16

Article	Article Nr.	PN	Ø DN [mm]	Holes # [DN]	Ø K [mm]	Ø S [mm]	G [kg]							
X 40	1.08X1.000009	PN10/16	40	4	110	19	3							
X 50	1.08X1.000010	PN10/16	50	4	125	19	3							
X 60	1.08X1.000011	PN10/16	60	4	135	19	3							
X 65	1.08X1.000020	PN10/16	65	4	145	19	3							
X 80	1.08X1.000030	PN10/16	80	8	160	19	4							
X 100	1.08X1.010010	PN10/16	100	8	180	19	5							
X 125	1.08X1.010020	PN10/16	125	8	210	19	6							
X 150	1.08X1.010030	PN10/16	150	8	240	23	6							
X 200	1.08X2.020010	PN10	200	8	295	23	11							
X 250	1.08X2.020020	PN10	250	12	350	23	17							
X 300	1.08X2.030010	PN10	300	12	400	23	24							
X 350	1.08X2.030020	PN10	350	16	460	23	32							
X 400	1.08X2.040010	PN10	400	16	515	28	38							
X 450	1.08X2.040020	PN10	450	20	565	28	55							
X 500	1.08X2.050010	PN10	500	20	620	28	56							
X 600	1.08X2.060010	PN10	600	20	725	31	86							
X 700	1.08X2.070010	PN10	700	24	840	31	127							
X 800	1.08X2.080010	PN10	800	24	950	34	180							
X 900	1.08X2.090010	PN10	900	28	1050	34	230							
X 1000	1.08X2.100010	PN10	1000	28	1160	37	302							
X 1100	1.08X2.110010	PN10	1100	32	1340	37	410							

**Blank flange (X) PN10/16**

Article	Article Nr.	PN	∅ DN [mm]	Holes # [DN]	∅ K [mm]	∅ S [mm]	G [kg]							
X 1200	1.08X2.120010	PN10	1200	32	1380	41	480							
X 1400	1.08X2.140010	PN10	1400	36	1590	44	990							
X 1500	1.08X2.150010	PN10	1500	36	1700	44	1180							
X 1600	1.08X2.160010	PN10	1600	40	1820	50	1460							
X 200	1.08X3.020010	PN16	200	12	295	23	11							
X 250	1.08X3.020020	PN16	250	12	355	28	17							
X 300	1.08X3.030010	PN16	300	12	410	28	24							
X 350	1.08X3.030020	PN16	350	16	470	28	36							
X 400	1.08X3.040010	PN16	400	16	525	31	50							
X 450	1.08X3.040020	PN16	450	20	585	31	75							
X 500	1.08X3.050010	PN16	500	20	650	34	85							
X 600	1.08X3.060010	PN16	600	20	770	37	126							
X 700	1.08X3.070010	PN16	700	24	840	37	160							
X 800	1.08X3.080010	PN16	800	24	950	41	230							
X 900	1.08X3.090010	PN16	900	28	1050	41	290							
X 1000	1.08X3.100010	PN16	1000	28	1170	44	390							
X 1100	1.08X3.110010	PN16	1100	32	1270	44	500							
X 1200	1.08X3.120010	PN16	1200	32	1390	50	580							
X 1400	1.08X3.140010	PN16	1400	36	1590	50	1090							
X 1500	1.08X3.150010	PN16	1500	36	1710	57	1280							
X 1600	1.08X3.160010	PN16	1600	40	1820	57	1560							