

Produktas	d, mm	d1, mm	L, mm	Pakuotė	Svoris, kg	Kodas	Kaina € be PVM
-----------	-------	--------	-------	---------	------------	-------	----------------

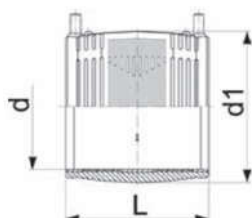
PE100 SDR11 PN16 el.virinamos movos



d20-d63



d75 ir didesni



20	31	70	50	0,053	FPCBKHA020G	6,64
25	36	70	50	0,050	FPCBKHA025G	7,55
32	44	72	50	0,071	FPCBKHA032G	8,14
40	54	80	50	0,950	FPCBKHA040G	8,55
50	66	88	30	0,131	FPCBKHA050G	13,20
63	81	96	24	0,194	FPCBKHA063G	13,91
75	96	110	12	0,282	FPCBKHA075G	19,47
90	113	125	10	0,406	FPCBKHA090G	26,03
110	138	145	5	0,692	FPCBKHA110G	31,78
125	154	156	5	0,718	FPCBKHA125G	43,44
140	172	166	5	0,945	FPCBKHA140G	50,00
160	196	180	6	1,362	FPCBKHA160G	57,91
180	219	192	5	1,747	FPCBKHA180G	85,17
200	244	208	4	1,866	FPCBKHA200G	98,79
225	273	225	3	3,329	FPCBKHA225G	121,47
250	304	248	2	4,678	FPCBKHA250G	170,84
280	340	252	2	7,500	FPCBKHA280G	241,47
315	382	267	2	8,142	FPCBKHA315G	275,96
355	438	291	1	13,098	FPCBKHA355G	409,17
400	493	295	1	18,320	FPCBKHA400G	492,57
450	554	327	1	24,700	FPCBKHA450G	891,21
500	616	358	1	33,700	FPCBKHA500G	1102,63
560	689	396	1	46,200	FPCBKHA560G	1324,61
630	775	440	1	65,300	FPCBKHA630G	1733,68
710	874	463	1	87,400	FPCBKHA710G	2360,69
800	982	484	1	114,50	FPCBKHA800G	2539,30

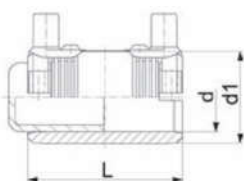
PE100 SDR11 PN16 el.virinamos aklės



d20-d63



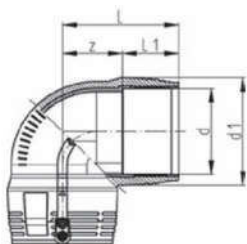
d75 ir didesni



20	35	52	50	0,041	FPECBKHA020G	11,49
25	35	52	50	0,046	FPECBKHA025G	12,24
32	44	52	50	0,058	FPECBKHA032G	14,04
40	54	56	50	0,064	FPECBKHA040G	15,53
50	66	60	15	0,154	FPECBKHA050G	23,07
63	81	66	10	0,142	FPECBKHA063G	25,88
75	96	110	6	0,446	FPECBKHA075G	41,31
90	113	125	5	0,663	FPECBKHA090G	54,12
110	133	145	3	1,090	FPECBKHA110G	69,50
125	155	158	3	1,345	FPECBKHA125G	84,51
140	175	170	3	2,250	FPECBKHA140G	106,18
160	197	180	1	2,382	FPECBKHA160G	120,65
180	220	194	1	3,098	FPECBKHA180G	148,81
200	245	208	1	4,180	FPECBKHA200G	192,18
225	296	224	1	5,852	FPECBKHA225G	233,23

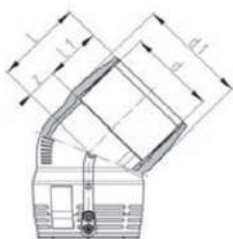
Produktas	d, mm	d1, mm	L, mm	Pakuotė	Svoris, kg	Kodas	Kaina € be PVM
-----------	-------	--------	-------	---------	------------	-------	----------------

PE100 SDR11 PN16 el.virinamos alkūnės 90°



20	35	54	10	10	0,080	FP753101606	16,51
25	35	54	10	10	0,068	FPEBKHA025X90G	16,51
32	44	53	35	35	0,098	FPEBKHA032X90G	17,09
40	54	62	10	10	0,141	FPEBKHA040X90G	20,70
50	66	71	10	10	0,200	FPEBKHA050X90G	25,96
63	81	81	10	10	0,318	FPEBKHA063X90G	29,57
75	97	94	33	33	0,415	FPEBKHA075X90G	44,35
90	115	122	15	15	0,828	FPEBKHA090X90G	52,38
110	140	147	8	8	1,224	FPEBKHA110X90G	76,06
125	160	155	5	5	1,742	FPEBKHA125X90G	104,87
160	196	191	4	4	3,830	FPEBKHA160X90G	207,80
180	219	210	3	3	5,410	FPEBKHA180X90	262,00
200	250	298	1	1	9,320	FPEBKHA200X90G	351,51
225	280	318	1	1	13,220	FPEBKHA225X90G	433,65
250	310	347	1	1	16,600	FPEBKHA250X90G	563,40

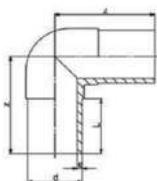
PE100 SDR11 PN16 el.virinamos alkūnės 45°



32	44	44	20	20	0,075	FPEBKHA032X45G	17,09
40	54	50	10	10	0,106	FPEBKHA040X45G	20,70
50	66	56	10	10	0,171	FPEBKHA050X45G	25,96
63	81	63	10	10	0,252	FPEBKHA063X45	29,57
75	97	71	25	25	0,332	FPEBKHA075X45	44,35
90	115	91	20	20	0,583	FPEBKHA090X45G	52,38
110	140	112	12	12	0,985	FPEBKHA110X45G	76,06
125	160	119	6	6	1,438	FPEBKHA125X45G	104,87
160	196	135	5	5	3,055	FPEBKHA160X45G	207,80
180	217	144	4	4	4,037	FPEBKHA180X45	262,00
200	250	232	1	1	7,566	FPEBKHA200X45G	351,51
225	280	247	1	1	11,300	FPEBKHA225X45G	433,65
250	310	275	1	1	13,500	FPEBKHA250X45G	563,40

Produktas	d, mm	L, mm	z, mm	Pakuotė	Svoris, kg	Kodas	Kaina € be PVM
-----------	-------	-------	-------	---------	------------	-------	----------------

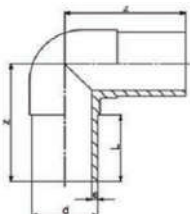
PE100 SDR11 PN16 bespiralinės alkūnės 90°



20	52	75	40	40	0,027	FP40209309	5,38
25	52	80	40	40	0,040	FP753101007	5,62
32	54	85	100	100	0,056	FP753101008	6,01
40	57	95	50	50	0,089	FP40209309	7,67
50	63	105	30	30	0,156	FP40209310	10,20
63	65	115	40	40	0,274	FP40209311	18,59
75	72	13	12	12	0,414	FP40210312	24,51
90	81	150	18	18	0,704	FP40210313	28,23
110	86	165	10	10	1,158	FP40210314	51,94

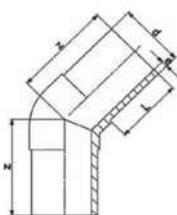
Produktas	d, mm	L, mm	z, mm	Pakuotė	Svoris, kg	Kodas	Kaina € be PVM
-----------	-------	-------	-------	---------	------------	-------	----------------

PE100 SDR11 PN16 bespiralinės alkūnės 90°



125	92	180	8	1,609	FP40210314A	66,17
140	120	194	5	2,222	FP40210315	73,84
160	102	210	5	3,100	FP40210317	97,01
180	107	232	3	4,328	FP40210317A	108,93
200	116	253	3	5,739	FP40210319	149,24
225	123	270	1	7,775	FP40210320	177,87
250	130	292	3	10,506	FP40210321	296,46
280	140	320	2	15,059	FP40210322	498,83
315	150	370	1	21,960	FP40210323	627,66

PE100 SDR11 PN16 bespiralinės alkūnės 45°



20	52	70	40	0,027	FP753151006	4,81
25	52	75	30	0,037	FP753151007	4,99
32	54	80	25	0,050	FP753151008	7,27
40	57	85	30	0,086	FP753151009	9,11
50	63	90	70	0,133	FP40216310	10,37
63	65	95	50	0,227	FP40216311	18,59
75	72	105	30	0,350	FP40216312	25,06
90	81	120	20	0,565	FP40216313	28,23
110	86	130	12	0,921	FP40216314	45,77
125	92	140	8	1,290	FP40216315	66,17
140	120	164	1	1,796	FP40216316	73,84
160	102	162	6	2,454	FP40216317	97,01
180	107	170	5	3,274	FP40216318	110,05
200	116	186	3	4,362	FP40216319	149,88
225	123	200	2	5,981	FP40216320	178,66
250	130	220	3	8,283	FP40216324	309,88
280	140	230	2	10,285	FP40216322	467,19
315	150	250	2	14,124	FP40216328	567,60

Produktas	d, mm	L, mm	Z1, mm	Pakuotė	Svoris, kg	Kodas	Kaina € be PVM
-----------	-------	-------	--------	---------	------------	-------	----------------

PE100 SDR11 PN16 el.virinami trišakiai 90°



20	88	92	10	0,085	FPETBKHA020G	18,00
25	90	92	10	0,075	FPETBKHA025G	18,00
32	102	100	10	0,118	FPETBKHA032G	18,00
40	119	114	10	0,175	FPETBKHA040G	20,70
50	135	126	5	0,252	FPETBKHA050G	26,29
63	151	150	5	0,407	FPETBKHA063G	28,89
75	178	143	18	0,569	FPETBKHA075G	41,24
90	205	161	26	0,891	FPETBKHA090G	49,13
110	255	184	10	1,576	FPETBKHA110G	77,38

Pastaba: el.virinamu trišakių vidurinė atšaka bespiralė

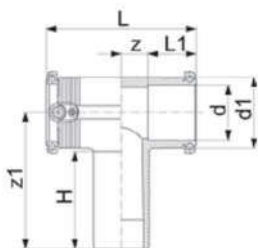
PE100 elektra virinamos jungtys PE vamzdžiams



Inžinerinių tinklų sistemos

Produktas	d, mm	L, mm	Z1, mm	Pakuotė	Svoris, kg	Kodas	Kaina € be PVM
-----------	-------	-------	--------	---------	------------	-------	----------------

PE100 SDR11 PN16 el.virinami trišakiai 90°



125	276	207	6	2,212	FPETBKHA125G	100,93
160	325	206	4	4,386	FPETBKHA160G	181,50
180	344	250	3	6,796	FPETBKHA180G	276,77
200	590	250	3	10,800	FPETBKHA200G	353,16
225	636	270	1	15,900	FPETBKHA225G	450,07
250	685	288	1	18,900	FPETBKHA250G	587,22

PE100 SDR11 PN16 bespiraliniai trišakiai 90°



20	150	75	30	0,038	FP40221306	5,93
25	160	80	25	0,054	FP40221307	6,80
32	170	85	20	0,077	FP40221308	8,08
40	190	95	80	0,130	FP40221309	9,81
50	210	105	50	0,214	FP40221310	12,80
63	230	115	25	0,376	FP40221311	17,71
75	264	132	16	0,599	FP40221312	26,80
90	300	150	7	1,021	FP40221313	41,33
110	330	165	7	1,612	FP40221314	58,73
125	366	183	4	2,420	FP753201015	82,77
140	393	193	4	3,090	FP753201016	125,23
160	420	210	4	4,403	FP40221317	145,31
180	460	230	3	6,014	FP753201018	205,53
200	500	250	2	8,480	FP40221320	296,46
225	540	270	1	11,507	FP40221322	350,99
250	575	288	1	14,099	FP40221324	498,02
280	615	308	1	18,670	FP753200902	640,31
315	695	346	1	26,150	FP40221325	956,52
355	820	410	1	38,900	FP40221326	1158,56
400	900	450	1	53,400	FP40221327	1731,64
450	980	490	1	73,400	FP753200026	2219,34
500	1070	535	1	98,500	FP40221329	2829,95
560	1510	755	1	153,30	FP753200908	8691,78
630	1630	815	1	205,50	FP753200909	11627,41
710	1720	860	1	318,70	FP753201120	26272,81
800	1780	890	1	409,14	FP753201121	33578,80

PE100 SDR11 PN16 bespiraliniai trišakiai 45°



50	218	139	30	0,300	FP753251010	42,80
63	255	158	20	0,440	FP753251011	107,18
75	301	190	1	0,800	FP753251012	162,06
90	368	234	10	1,373	FP40221090	251,39
110	395	260	6	1,800	FP40221414	356,50

Produktas	d, mm	d2, mm	Z, mm	Z1, mm	Pakuotė	Svoris, kg	Kodas	Kaina € be PVM
-----------	-------	--------	-------	--------	---------	------------	-------	----------------

PE100 SDR11 PN16 el.virinami redukuoti trišakiai 90°



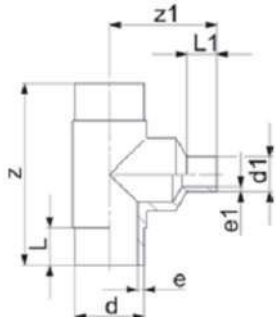
110	90	255	245	8	1,652	FPETBKHA110X090	131,71
125	90	255	245	6	2,242	FP753211035	178,19
160	63	493	176	2	5,660	FP753211037	320,31
160	90	492	188	2	5,508	FPETBKHA160X090	320,31
160	110	491	195	1	5,157	FPETBKHA160X110	320,31
200	90	595	215	1	9,012	FPETBKHA200X090	583,10
200	110	600	218	1	12,400	FP753211060	583,10
200	160	595	236	1	12,400	FP753211063	583,10
225	90	666	226	1	13,100	FP753211069	672,62
225	110	670	235	1	13,100	FP753211070	672,62
225	160	667	255	1	13,600	FPETBKHA225X160	672,62
250	110	709	245	1	11,660	FP753211080	780,21
250	160	711	264	1	17,070	FP753211083	780,21

Pastaba: el.virinamu trišakių vidurinė atšaka bespiralė

PE100 SDR11 PN16 bespiraliniai redukuoti trišakiai 90°



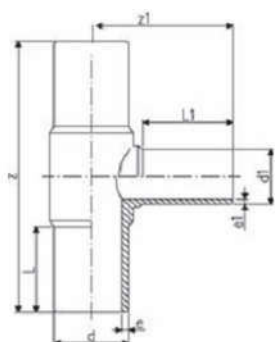
*- su privirinta redukcija



25	20*	160	100	20	0,053	FP753201002	17,55
32	20*	170	105	20	0,094	FP753201003	17,55
32	25*	170	110	25	0,098	FP753201004	17,55
40	20*	190	120	36	0,124	FP753201005	19,38
40	25*	190	120	30	0,160	FP753201069	19,38
40	32*	190	120	15	0,160	FP753201070	19,38
50	20*	210	140	10	0,252	FP753201072	19,38
50	25*	210	130	10	0,203	FP753201077	19,38
50	32*	210	130	25	0,207	FP753201080	19,38
50	40*	210	130	7	0,224	FP753201081	19,38
63	32*	230	140	6	0,359	FP753201082	19,38
63	40	230	145	25	0,312	FP753201026	10,98
63	50	216	103	20	0,305	FP753201021	19,38
75	32	258	106	12	0,519	FP753201023	30,20
75	40*	264	180	4	0,603	FP753201084	30,20
75	50	257	110	10	0,531	FP753200046	30,20
75	63	252	117	10	0,554	FP753200047	30,20
90	50	280	120	15	0,794	FP753201027	41,89
90	63	282	127	1	0,775	FP753201029	43,17
110	63	322	148	10	1,409	FP753201028	63,41
110	75	305	148	2	1,221	FP753201031	67,75
110	90	322	164	3	1,275	FP753201032	79,85
125	63*	225	225	6	2,359	FP753201085	88,31
125	75*	235	235	8	2,434	FP753201086	88,31
125	90	332	168	3	1,717	FP753201048	88,31
125	110	340	167	3	1,717	FP753201033	88,31
140	75*	396	230	4	3,038	FP753201087	143,87

Produktas	d, mm	d2, mm	Z, mm	Z1, mm	Pakuotė	Svoris, kg	Kodas	Kaina € be PVM
-----------	-------	--------	-------	--------	---------	------------	-------	----------------

PE100 SDR11 PN16 bespiraliniai redukuoti trišakiai 90°



*- su privirinta redukcija

140	90*	396	235	4	3,092	FP753201089	143,87
140	110*	396	240	4	3,208	FP753201090	143,87
140	125*	396	240	4	4,170	FP753201091	143,87
160	63	416	174	1	2,680	FP753201034	174,71
160	75	344	179	3	2,676	FP753201035	174,71
160	90	415	190	8	2,775	FP753201036	174,71
160	110	415	200	1	3,300	FP753201037	174,71
160	125*	420	265	4	4,544	FP753201092	179,45
160	140*	420	270	4	5,895	FP753201093	179,45
180	90	420	200	1	4,410	FP753201049	249,01
180	110	430	206	1	4,379	FP753201050	249,01
180	125*	460	285	2	6,111	FP753201094	249,01
180	140*	460	295	2	6,317	FP753201095	249,01
180	160	414	203	1	4,715	FP753201038	249,01
200	63	503	196	1	7,300	FP753201073	353,40
200	90	500	216	1	9,730	FP753201074	363,62
200	110	505	219	2	7,120	FP753201075	354,61
200	125*	500	295	1	8,424	FP753201096	362,85
200	140*	500	310	1	10,570	FP753201097	362,85
200	160	500	237	1	9,730	FP753201076	345,57
200	180*	500	310	1	9,031	FP753201098	362,85
225	75	560	219	1	9,880	FP753201039	389,70
225	90	555	228	3	6,633	FP753201040	404,75
225	110	559	238	3	10,010	FP753201041	411,05
225	125*	540	320	1	11,260	FP753201099	404,75
225	140*	540	335	1	14,574	FP753201100	404,75
225	160	555	258	3	8,095	FP753201042	411,05
225	180	559	284	1	9,375	FP753201043	411,05
225	200*	540	340	1	14,93	FP753201101	404,75
250	110	584	284	1	11,82	FP753201078	664,80
250	160	586	266	2	12,30	FP753201079	698,03
250	180*	576	350	1	14,33	FP753201102	513,84
250	200*	576	360	1	19,22	FP753201103	513,84
250	225*	576	390	1	15,24	FP753201104	513,84
280	200*	616	420	1	24,52	FP753201105	698,03
280	225*	616	420	1	21,76	FP753201106	698,03
280	250*	616	420	1	21,06	FP753201107	698,03
315	110	705	282	1	15,30	PF753201051	667,18
315	160	705	301	1	23,00	PF753201052	667,18
315	200*	690	470	1	33,67	FP753201108	1233,20
315	225	658	335	1	20,01	PF753201053	698,01
315	250	695	331	1	24,24	PF753201054	698,01

PE100 elektra virinamos jungtys PE vamzdžiams



Inžinerinių tinklų sistemos

Produktas	d, mm	d2, mm	Z, mm	Z1, mm	Pakuotė	Svoris, kg	Kodas	Kaina € be PVM
-----------	-------	--------	-------	--------	---------	------------	-------	----------------

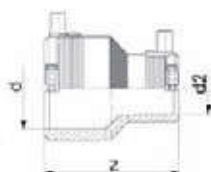
PE100 SDR11 PN16 bespiraliniai redukuoti trišakiai 90°



315	280*	690	480	1	34,95	FP753201109	1233,20
355	250	818	530	1	48,90	FP753201110	1407,11
355	280*	818	480	1	49,30	FP753201111	1407,11
355	315*	818	480	1	49,69	FP753201112	1407,11
400	280*	910	530	1	52,92	FP753201113	1948,62
400	315*	910	580	1	53,63	FP753201114	1948,62
400	355*	910	675	1	54,08	FP753201115	1948,62

Produktas	d, mm	d2, mm	Z, mm	Pakuotė	Svoris, kg	Kodas	Kaina € be PVM
-----------	-------	--------	-------	---------	------------	-------	----------------

PE100 SDR11 PN16 el.virinami perėjimai (redukcijos)



25	20	74	20	0,051	FP753901639	11,74
32	20	79	20	0,056	FPRBKHA032X20	11,74
32	25	79	20	0,062	FPRBKHA032X25	11,74
40	20	88	20	0,069	FPRBKHA040X20	15,12
40	25	88	20	0,084	FPRBKHA040X25G	15,12
40	32	88	20	0,095	FPRBKHA040X32G	15,12
50	32	96	10	0,124	FPRBKHA050X32G	18,97
50	40	96	15	0,119	FPRBKHA050X40	20,94
63	32	105	10	0,158	FPRBKHA063X32G	22,58
63	40	105	10	0,176	FPRBKHA063X40G	22,58
63	50	105	10	0,176	FPRBKHA063X50	22,58
90	63	146	30	0,385	FPRBKHA090X63	39,01
110	63	184	16	0,644	FPRBKHA110X63G	43,54
110	90	173	16	0,700	FPRBKHA110X90	59,14
125	90	180	12	0,891	FPRBKHA125x090G	74,80
160	90	227	6	1,600	FP753901839	70,17
160	110	226	6	1,783	FPRBKHA160X110G	79,37
180	125	254	4	2,340	FP753901865	118,09
200	160	365	1	5,098	FPRBKHA200X160G	287,46
225	160	385	1	6,000	FP753901838	353,15
225	200	400	1	8,000	FP753901845	345,55
250	160	400	2	7,860	FP753901840	427,06
250	200	427	2	8,480	FP753901841	427,06
250	225	439	2	8,600	FP753901842	417,89

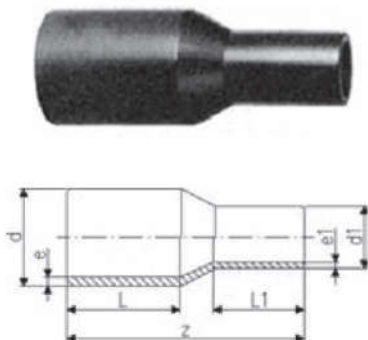
PE100 SDR11 PN16 el.virinami kombinuoti perėjimai



75	40	265	20	0,574	FPRBKHA075X40G	43,60
75	50	269	20	0,623	FPRBKHA075X50G	48,29
75	63	273	20	0,700	FPRBKHA075X63G	48,96
90	50	297	20	0,857	FPRBKHA090X50G	60,77
90	75	308	20	1,071	FPRBKHA090X75G	67,03
110	75	333	20	1,496	FPRBKHA090X75G	79,82

Produktas	d, mm	d2, mm	Z, mm	Pakuotė	Svoris, kg	Kodas	Kaina € be PVM
-----------	-------	--------	-------	---------	------------	-------	----------------

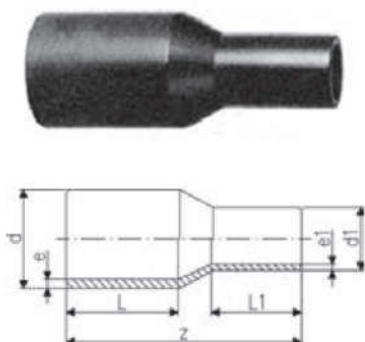
PE100 SDR11 PN16 bespiraliniai redukuoti perėjimai



25	20	115	40	0,022	FP40441463	4,19
32	20	120	100	0,027	FP40441464	4,19
32	25	120	45	0,033	FP40441465	4,19
40	20	129	40	0,043	FP40441466	6,01
40	25	129	50	0,045	FP40441467	6,01
40	32	129	40	0,047	FP40441468	6,01
50	20	149	35	0,064	FP753901055	7,12
50	25	139	45	0,069	FP753901054	7,12
50	32	140	40	0,067	FP40441469	7,12
50	40	139	25	0,079	FP753901052	7,12
63	32	149	50	0,113	FP40441473	9,89
63	40	150	50	0,122	FP753901059	9,89
63	50	150	50	0,128	FP40441475	9,89
75	40	170	60	0,185	FP753901063	15,03
75	50	170	50	0,188	FP40441477	15,03
75	63	170	50	0,209	FP40441478	15,03
90	50	190	18	0,289	FP40441479	20,70
90	63	190	18	0,316	FP40441480	20,70
90	75	190	18	0,351	FP40441481	20,70
110	63	205	24	0,471	FP40441482	27,50
110	75	205	10	0,501	FP40441482B	27,50
110	90	205	9	0,549	FP40441483	27,50
125	63	214	15	0,607	FP40441487	33,20
125	75	210	15	0,667	FP40441488	33,20
125	90	212	15	0,683	FP753901081	33,20
125	110	212	15	0,775	FP40441485	33,20
140	75	230	14	0,910	FP753901086	50,13
140	90	230	14	0,954	FP753901087	50,13
140	110	234	12	0,977	FP40441484	50,13
140	125	235	12	1,078	FP753901085	47,68
160	90	244	10	1,164	FP40441486	63,95
160	110	244	5	1,239	FP40441503	63,95
160	125	245	5	1,333	FP40441504	63,95
160	140	260	10	1,522	FP40441505	63,95
180	90	245	8	1,507	FP753901073	75,11
180	110	270	8	1,833	FP753901074	75,11
180	125	258	6	1,723	FP753901091	63,95
180	140	270	8	1,976	FP753901075	81,60
180	160	255	6	1,968	FP40441508	77,71
200	140	275	6	2,326	FP753901066	94,94
200	160	265	6	2,391	FP40441521	90,36
200	180	265	5	2,724	FP753901034	90,36

Produktas	d, mm	d2, mm	Z, mm	Pakuotė	Svoris, kg	Kodas	Kaina € be PVM
-----------	-------	--------	-------	---------	------------	-------	----------------

PE100 SDR11 PN16 bespiraliniai redukuoti perėjimai



225	140	295	4	2,900	FP753901067	152,48
225	160	279	4	2,891	FP40441542	145,22
225	180	280	4	3,244	FP753901095	145,22
225	200	280	4	3,538	FP40441543	145,22
250	160	300	1	2,385	FP40441530	197,62
250	180	295	6	4,299	FP753901068	216,91
250	200	315	1	4,766	FP40441540	207,12
250	225	332	1	2,385	FP40441541	207,12
280	200	333	6	6,850	FP753901098	272,39
280	225	335	5	6,112	FP753901099	272,39
280	250	340	1	2,385	FP753901003	247,43
315	200	380	2	7,522	FP753901004	354,15
315	225	365	4	7,790	FP40441546	354,15
315	250	365	1	8,360	FP40441547	354,15
315	280	365	6	8,800	FP753901012	357,30
355	250	390	1	9,100	FP753901013	814,81
355	280	390	6	9,500	FP753901014	750,78
355	315	390	6	9,900	FP40441551	717,28
400	280	415	6	10,42	FP753901016	1247,36
400	315	415	6	11,13	FP753901017	1170,48
400	355	420	6	11,60	FP40441555	1124,19
450	280	389	6	16,20	FP753901019	1939,01
450	315	390	6	16,70	FP753901020	1880,89
450	355	393	6	17,50	FP753901022	1749,84
450	400	395	3	18,50	FP753901024	1492,68
500	315	422	3	21,90	FP753901025	2597,18
500	355	424	3	22,60	FP753901026	2448,40
500	400	426	3	23,60	FP753901027	2026,70
500	450	428	3	25,10	FP753901029	1920,30
560	355	459	3	30,10	FP753901030	3553,87
560	400	461	3	31,00	FP753901039	3134,15
560	450	463	3	32,40	FP753901040	2562,67
560	500	466	3	34,10	FP753901043	2336,08
630	400	502	3	41,90	FP753901044	3845,51
630	450	503	3	43,10	FP753901045	3587,37
630	500	506	3	44,70	FP753901049	3379,48
630	560	506	3	46,80	FP753901050	3222,81

Produktas	d, mm	sriegis, coliais	L, mm	Pakuotė	Svoris, kg	Kodas	Kaina € be PVM
-----------	-------	------------------	-------	---------	------------	-------	----------------

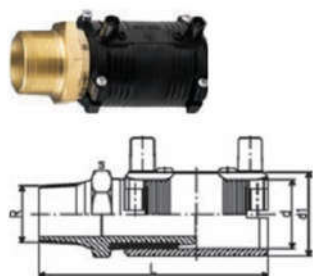
PE100 SDR11 PN16 el.virinami perėjimai PE/žalvaris vidiniu sriegiu (laisva arba fiksuota veržle)



*- su laisva veržle ir tarpine

25	3/4*	104	8	0,232	FP720910007	46,84
32	1	108	6	0,297	FP720920258	38,49
32	1 1/4*	115	6	0,300	FP720910018	51,23
40	1*	118	6	0,490	FP720910009	58,07
40	1 1/4	118	6	0,496	FP720920259	43,31
50	1 1/2	126	6	0,725	FP720920260	49,19
50	2*	135	3	0,740	FP720910040	74,00
63	1	138	3	1,300	FP720920281	64,79
63	1 1/4	138	3	1,230	FP720920282	64,79
63	1 1/2*	138	3	1,134	FP720920283	64,79
63	2	138	3	1,057	FP720920261	61,31

PE100 SDR11 PN16 el.virinami perėjimai PE/žalvaris išoriniu sriegiu



20	1/2	110	6	0,187	FP720920756	30,56
20	1	124	6	0,344	FP720920754	36,09
25	3/4	111	6	0,254	FP720920757	31,54
25	1	124	6	0,340	FP720920763	36,09
32	1/2	121	6	0,213	FP720920764	36,09
32	3/4	122	6	0,268	FP720920765	36,09
32	1	117	6	0,340	FP720920758	32,17
32	1 1/4	135	6	0,489	FP720920766	42,86
32	1 1/2	143	6	0,635	FP720920767	42,86
32	2	157	6	1,000	FP720920768	66,28
40	1	133	6	0,364	FP720920771	45,09
40	1 1/4	127	6	0,514	FP720920759	36,35
40	1 1/2	143	6	0,645	FP720920772	45,09
40	2	157	6	0,961	FP720920773	66,28
50	1	141	6	0,367	FP720920776	51,23
50	1 1/4	143	6	0,554	FP720920777	51,23
50	1 1/2	135	6	0,652	FP720920760	41,86
50	2	157	6	0,971	FP720920778	66,28
63	1	151	3	0,441	FP720920781	47,68
63	1 1/4	153	3	0,600	FP720920782	63,45
63	1 1/2	153	3	0,712	FP720920783	63,45
63	2	147	4	0,943	FP720920761	56,85

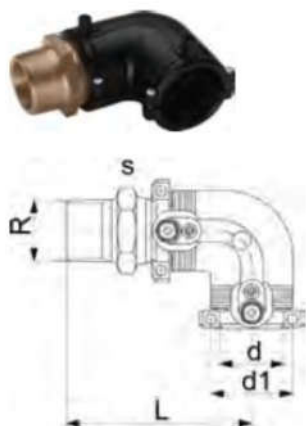
PE100 SDR11 PN16 el.virinamos alkūnės PE/žalvaris, vidiniu sriegiu



32	1	89	6	0,359	FP720100258	48,21
40	1 1/4	100	6	0,525	FP720100259	56,50
50	1 1/2	109	6	0,825	FP720100260	62,99
63	1	123	3	1,420	FP720100281	81,79
63	1 1/4	123	3	1,391	FP720100282	81,79
63	1 1/2	123	3	1,305	FP720100283	81,79
63	2	123	3	1,165	FP720100261	78,32

Produktas	d, mm	sriegis, coliais	L, mm	Pakuotė	Svoris, kg	Kodas	Kaina € be PVM
-----------	-------	------------------	-------	---------	------------	-------	----------------

PE100 SDR11 PN16 el.virinamos alkūnės PE/žalvaris, išoriniu sriegiu



20	1/2	96	6	0,240	FP720100756	41,86
25	3/4	97	6	0,260	FP720100757	41,86
32	1	98	6	0,368	FP720100758	41,86
32	1 1/4	100	6	0,500	FP720100766	52,56
32	1 1/2	100	6	0,562	FP720100767	52,56
40	1	107	6	0,511	FP720100771	58,27
40	1 1/4	109	6	0,534	FP720100759	49,53
40	1 1/2	109	6	0,615	FP720100772	58,27
50	1	116	6	0,677	FP720100776	86,51
50	1 1/4	118	6	0,771	FP720100777	65,06
50	1 1/2	118	6	0,734	FP720100760	55,72
63	1 1/4	128	3	1,040	FP720100782	80,46
63	1 1/2	128	3	1,039	FP720100783	80,46
63	2	132	3	1,108	FP720100761	73,87

PE100 SDR11 PN16 bespiraliniai perėjimai PE/žalvaris išoriniu sriegiu



20	1/2	75	40	0,133	FP720920706	23,35
25	3/4	76	40	0,182	FP720920707	23,35
32	1	80	30	0,257	FP720920708	23,35
32	1 1/4	82	30	0,370	FP720920718	34,06
32	1 1/2	82	30	0,437	FP720920728	34,06
40	1	84	20	0,358	FP720920719	35,83
40	1 1/4	86	20	0,405	FP720920709	27,10
40	1 1/2	86	20	0,454	FP720920729	35,83
50	1	88	20	0,505	FP720920720	36,88
50	1 1/4	90	20	0,539	FP720920730	36,88
50	1 1/2	90	20	0,514	FP720920710	27,54
63	1 1/4	94	12	0,739	FP720920721	48,38
63	1 1/2	94	12	0,709	FP720920731	48,38
63	2	98	12	0,762	FP720920711	41,80

PE100 SDR11 PN16 bespiraliniai perėjimai PE/žalvaris vidiniu sriegiu (laisva arba fiksuota veržle)

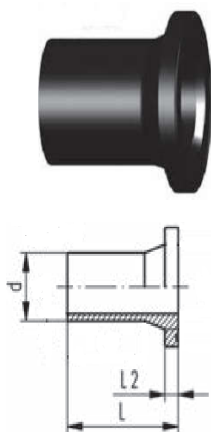


25	3/4*	68	8	0,152	FP720920007	46,84
32	1	71	30	0,250	FP720920208	29,67
32	1 1/4*	76	6	0,356	FP720920018	51,23
40	1 1/4	77	20	0,386	FP720920209	34,06
50	1 1/2	81	20	0,594	FP720920210	34,84
63	1	89	12	1,100	FP720920221	49,73
63	1 1/4	89	12	1,062	FP720920231	49,73
63	1 1/2*	89	12	0,958	FP720920241	49,73
63	2	89	12	0,832	FP720920211	46,24

* - su laisva veržle ir tarpine

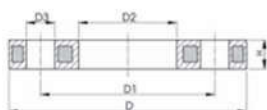
Produktas	d, mm	DN	L, mm	L2, mm	Pakuotė	Svoris, kg	Kodas	Kaina € be PVM
-----------	-------	----	-------	--------	---------	------------	-------	----------------

PE100 SDR11 PN16 bespiraliniai flanšų adapteriai



25	20	85	9	30	0,037	FP753800007	4,67
32	25	85	10	25	0,056	FP753800008	5,46
40	32	85	11	60	0,081	FP753800009	6,48
50	40	90	12	50	0,119	FP40226310	8,39
63	50	98	14	60	0,187	FP40226311	9,90
75	65	125	16	30	0,314	FP40226312	12,26
90	80	140	17	24	0,471	FP40226313	16,29
110	100	160	18	16	0,706	FP40226314	20,33
125	100	170	25	16	0,883	FP40226315	25,06
140	125	200	25	6	1,348	FP753800016	32,17
160	150	200	25	6	1,718	FP40226316	35,98
180	150	200	30	6	2,035	FP753800018	56,68
200	200	200	32	4	2,899	FP40226318	64,75
225	200	200	32	4	3,208	FP40226317	69,56
250	250	219	35	2	4,878	FP40226319	107,14
280	250	231	35	3	4,925	FP40226320	141,16
315	300	239	35	2	7,135	FP40226324	179,53
355	350	260	40	2	10,400	FP40226324E	☒
400	400	290	46	4	14,60	FP40226325	536,26
450	500	333	60	4	24,80	FP753800026	1254,55
500	500	350	60	4	27,40	FP40226328	1544,82
560	600	365	60	4	40,00	FP753800028	2161,90
630	600	385	60	4	42,30	FP40226335	2603,97
710	700	400	60	2	56,38	FP40226336	3246,68
800	800	400	65	2	72,64	FP40226338	3975,76

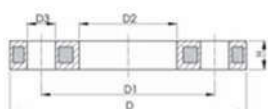
PP flanšai adapteriams PN16, skylės atitinka PN16 pagal EN 1092, DIN 2501, ISO 7005



200	200	295	28		3,549	FP724700319	75,16
225	200	295	28		3,380	FP724700320	75,16
250	250	355	33		6,390	FP724700321	91,29
280	250	355	33		6,310	FP724700322	91,29
315	300	410	40		9,740	FP724700323	139,69
355	350	470	50		15,20	FP724700324	264,35
400	400	525	54		20,60	FP724700325	300,87

Produktas	d, mm	DN	D1, mm	H, mm	Pakuotė	Svoris, kg	Kodas	Kaina € be PVM
-----------	-------	----	--------	-------	---------	------------	-------	----------------

PP flanšai adapteriams, skylės atitinka PN10 pagal EN 1092, DIN 2501, ISO 7005



25	20	75	12	50	0,279	FP727700207	6,54
32	25	85	16	34	0,429	FP727700208	8,21
40	32	100	16	20	0,621	FP727700209	9,76
50	40	110	20	17	0,722	FP40226310A	11,75
63	50	125	20	15	1,084	FP40226311A	14,83
75	65	145	20	13	1,349	FP40226312A	16,44
90	80	160	20	11	1,390	FP40226313A	19,67
110	100	180	20	10	1,407	FP40226314A	24,27
125	100	180	20	12	1,408	FP40226315A	24,27
140	125	210	26	12	2,318	FP727700716	33,94
160	150	241	26	1	3,491	FP40226316A	41,79
180	150	241	26	1	3,108	FP727700718	41,79
200	200	297	29	1	5,600	FP40226318A	60,53
225	200	297	29	1	5,533	FP40226317A	60,53
250	250	350	32		6,632	FP40226319A	76,81
280	250	350	32		6,573	FP40226320A	76,81
315	300	400	36		7,903	FP40226324A	112,29
355	350	460	42		14,59	FP40226324E	222,76
400	400	515	42		20,03	FP40226325A	253,49
450	450*	565	36		38,00	FP724705026	378,81
450	500*	620	54		25,60	FP724700426	400,78
500	500*	620	54		21,06	FP40226328A	400,78
560	600*	725	64		35,00	FP724700428	718,94
630	600*	725	58		32,50	FP40226335A	718,94
710	700**	840	49		25,50	FP40226336A	827,71
800	800**	950	58		39,30	FP40226338A	993,26

Pastabos:

PN16, skylės atitinka PN10

*PN10, skylės atitinka PN10

**PN6, skylės atitinka PN10

PE100 elektra virinamos jungtys PE vamzdžiai



Inžinerinių tinklų sistemos

Produktas	d, mm	d1, mm	L, mm	H, mm	Z, mm	Pakuotė	Svoris, kg	Kodas	Kaina € be PVM
-----------	-------	--------	-------	-------	-------	---------	------------	-------	----------------

PE100 SDR11 PN16 el.virinamas balnas (uždaromas ranka)



40	20	103	99	102	6	0,225	FP193131412	45,11
40	25	103	99	102	6	0,226	FP193131413	45,11
40	32	103	99	120	6	0,225	FP193131414	45,11
50	20	103	104	102	5	0,214	FP193131422	49,28
50	25	103	104	102	5	0,212	FP193131423	49,28
50	32	103	104	120	5	0,228	FP193131424	49,28
63	32	126	134	130	6	0,425	FP193131434	49,81

PE100 SDR11 PN16 el.virinamas balnas (uždaromas raktu)



63	20	144	146	110	20	0,368	FP193131932	53,46
63	25	144	146	110	20	0,393	FP193131933	53,46
63	32	144	146	110	20	0,376	FP193131934	53,46
90	20	162	198	115	12	0,494	FP193131952	54,52
90	25	162	198	115	12	0,503	FP193131953	54,52
90	32	162	198	115	12	0,505	FP193131954	54,52
90	63	162	198	115	10	0,667	FP193131957	53,37
110	20	162	208	115	9	0,560	FP193131962	60,00
110	25	162	208	115	9	0,570	FP193131963	60,00
110	32	162	208	125	9	0,574	FP193131964	60,00
110	63	162	208	160	8	0,684	FP193131967	64,69
125	20	162	216	120	6	0,562	FP193131972	68,27
125	25	162	216	120	6	0,552	FP193131973	68,27
125	32	162	216	120	6	0,574	FP193131974	68,27
125	63	162	216	120	6	0,704	FP193131977	66,27
160	20	162	233	120	6	0,631	FP193131992	95,10
160	25	162	233	125	6	0,641	FP193131993	95,10
160	32	162	233	130	6	0,648	FP193131994	95,10
160	63	162	233	170	6	0,794	FP193131997	99,77

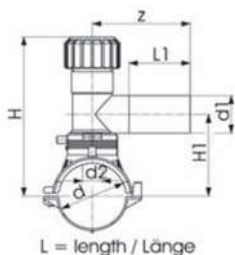
PE100 SDR11 PN16 el.virinamas balnas (uždaromas ranka), atšaka sukasi 360°



63	20	165	186	130	3	0,697	FP193131402	58,81
63	25	165	186	130	3	0,637	FP193131403	58,81
63	32	165	186	130	3	0,701	FP193131404	58,81
63	40	165	186	137	3	0,718	FP193131405	64,23
63	63	165	134	160	5	1,426	FP193131437	64,23
75	20	165	191	130	3	0,831	FP193131442	63,41
75	25	165	191	130	3	0,830	FP193131443	63,41
75	32	165	191	130	3	0,812	FP193131444	63,41
75	40	165	191	137	3	0,849	FP193131445	68,82
75	63	165	240	160	5	1,549	FP193131446	68,82
90	20	165	199	130	3	0,794	FP193131452	63,56
90	25	165	199	130	3	0,790	FP193131453	63,56
90	32	165	199	130	3	0,770	FP193131454	63,56

Produktas	d, mm	d1, mm	L, mm	H, mm	Z, mm	Pakuotė	Svoris, kg	Kodas	Kaina € be PVM
-----------	-------	--------	-------	-------	-------	---------	------------	-------	----------------

PE100 SDR11 PN16 el.virinamas balnas (uždaromas ranka), atšaka sukasi 360°



90	40	165	199	137	3	0,811	FP193131455	68,98
90	63	165	248	160	5	1,494	FP193131457	68,98
110	20	182	209	130	8	0,826	FP193131462	69,97
110	25	182	209	130	8	0,808	FP193131463	69,97
110	32	182	209	130	8	0,831	FP193131464	69,97
110	40	182	209	137	8	0,805	FP193131465	75,39
110	63	182	258	160	5	1,097	FP193131467	75,39
125	20	165	216	130	3	0,880	FP193131472	79,58
125	25	165	216	130	4	0,878	FP193131473	79,58
125	32	165	216	130	3	0,878	FP193131474	79,58
125	40	165	216	137	3	0,874	FP193131475	85,00
125	63	165	265	160	3	1,184	FP193131477	85,00
140	20	165	233	130	3	0,887	FP193131482	101,02
140	25	165	233	130	3	0,874	FP193131483	101,02
140	32	165	233	130	3	0,894	FP193131484	101,02
140	40	165	233	137	3	0,920	FP193131485	106,43
140	63	165	273	160	3	1,180	FP193131487	106,43
160	20	182	243	130	4	0,916	FP193131492	110,87
160	25	182	243	130	4	0,912	FP193131493	110,87
160	32	182	243	130	5	0,915	FP193131494	110,87
160	40	182	243	137	5	0,936	FP193131495	116,28
160	63	182	283	160	4	1,221	FP193131497	116,28
180	20	165	244	130	3	0,994	FP193131502	117,44
180	25	165	244	130	3	1,001	FP193131503	117,44
180	32	165	244	130	5	0,957	FP193131504	117,44
180	40	165	244	137	3	1,007	FP193131505	122,85
180	63	165	293	160	3	1,587	FP193131507	122,85
200	20	165	254	130	3	1,015	FP193131512	138,38
200	25	165	254	130	5	1,015	FP193131513	138,38
200	32	165	254	130	3	0,985	FP193131514	138,38
200	40	165	254	137	3	1,024	FP193131515	143,79
200	63	165	303	160	3	1,745	FP193131517	143,79
225	20	165	266	130	3	1,016	FP193131522	146,27
225	25	165	266	130	3	1,025	FP193131523	146,27
225	32	165	266	130	3	1,019	FP193131524	146,27
225	40	165	266	137	5	1,029	FP193131525	151,68
225	63	165	315	160	3	1,738	FP193131527	151,68
250	20	165	279	130	3	1,025	FP193131532	204,99
250	25	165	279	130	3	1,026	FP193131533	204,99
250	32	165	279	130	3	0,996	FP193131534	204,99
250	40	165	279	137	3	1,008	FP193131537	210,41
250	63	165	328	160	3	1,733	FP193131547	210,41